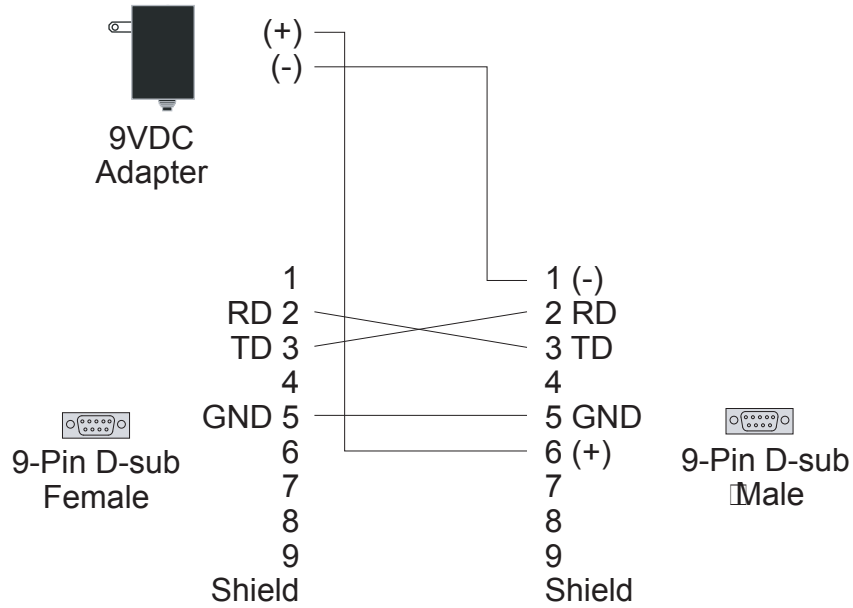
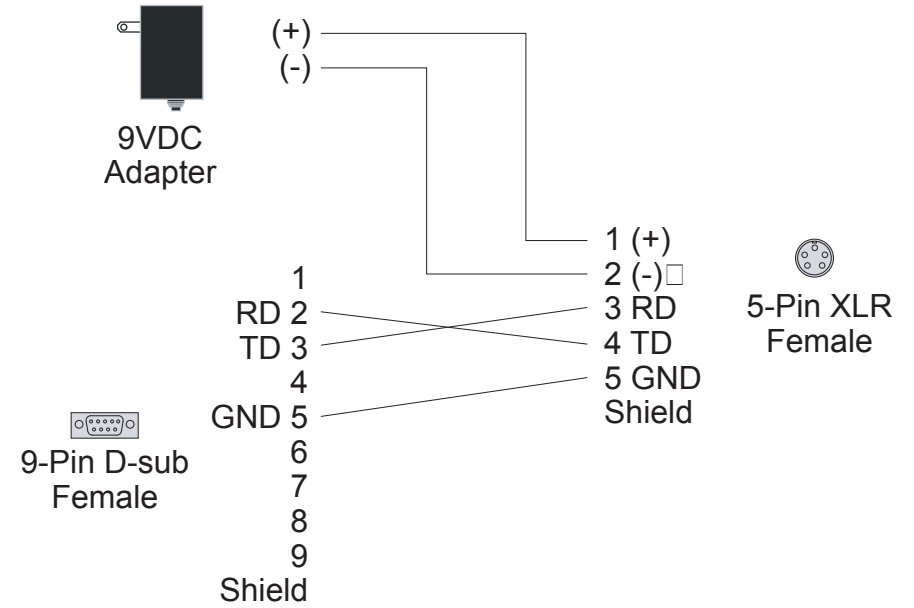


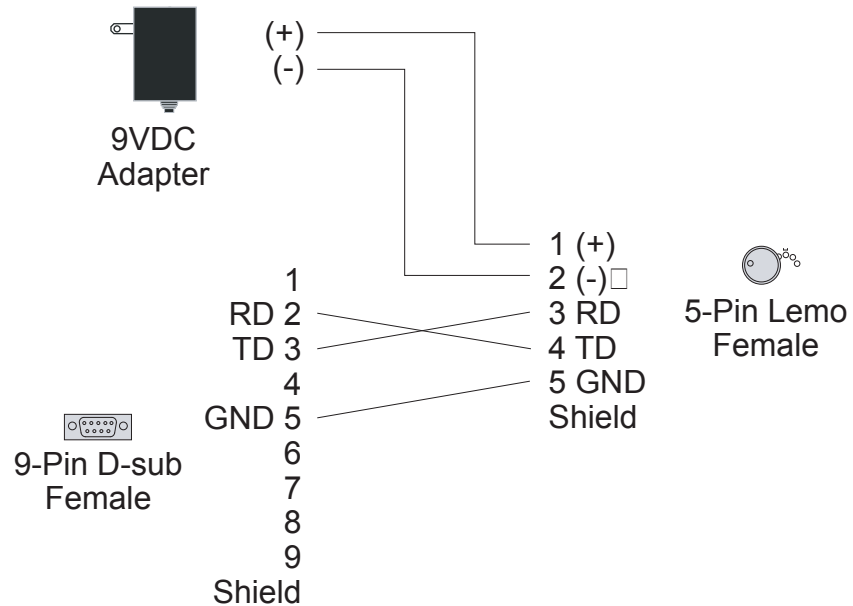
RAI Using 9-Pin D-sub



RAI Using 5-Pin XLR



RAI Using 5-Pin Lemo



SLAM Junction Box Diagrams